



Midsummer 1965

# BUSH TELEGRAPH

**BUSH**  
**TELEGRAPH**  
WOOD LANE'S CLUB MAGAZINE

Editor  
Robin Wood

Editorial Board  
Geoff Holder  
Keith Elder  
Dennis Cooper  
Barbara Smith

**Vol 11 No 7**

---

CONTENTS

<b>Articles</b>		
South African Touring Team		7
The Old Abbey		14
B.T. Guide to Good Drinking Places		17
<b>Features</b>		
Dr. Williams		5
J. Kaminski-Table Tennis Champion		8
Technical Corner		9
From the Council Table		10
Profile-Verina Horsnell		13
Bar Report		19
Driff		20
<b>Puzzles and Competitions</b>		
Legacy Problem		6
Family Tree		11-12
Dinner Party, solution		15
Puzzle Page		16
Photo Competition		19
<b>Section Reports</b>		
Music		4
Golf		5
Films		8
Debating		10
Whist		15
Tennis		18
Bridge		18
Hockey		19
<b>Poem</b>		
Song of the Lens		4

Cover:- SERPENTINE SILHOUETTES - The Editor

# Song of the Lens

You shall hear how John and Gerry,  
They the wonderous men of photos  
And of complex apparatus,  
Lost a picture in the darkroom;  
Found it later on its wrong-side  
With the gloss-side on the downside  
With the left-side on the right-side  
And the right-side on the wrong-side,  
Got the top-side upside down-side  
Turned the whole thing inside outside;  
Made a plate and didn't notice,  
Gave it to the Rotaprinter,  
He of cheerful disposition  
And of very inky fingers,  
Who with mangle in his hideout  
Printed many hundred copies;  
Didn't notice that the left-side  
Was the right-side and the wrong-side,  
Thought the upside and the downside  
Came out all the right-way round-side.

Then a wild and angry sportsman  
Took one look and gave a yell,  
"Oh, my knees are on the wrong-side,  
All the badges this-side that-side  
Rackets with their bat-side flat-side,  
And my grin is nirg-side round-side."

In the Studio you will find them,  
Wonderous men of photos they,  
Hanging down their heads in sorrow,  
Trying to forget the day  
That they got it wrong-side downside,  
Got our heroes wrong way round-side.

.....  
Never mind brave men with rackets  
Your supporters know who's who;  
Come out fighting in October  
And you'll win Division Two!

---

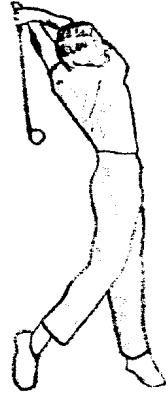
## *music*

The recent proposed Ballet visit (to see Solitaire, The Invitation, and Danses Concertantes) was cancelled because of poor support.

Newcomers to Wood Lane may be interested to know, that for parties of 12 or more, we can obtain tickets at half price for certain Opera and Ballet performances at Covent Garden. Anyone interested who does not already receive notice of these visits please contact John Vernon 362.



# MINIATURE GOLF



By popular demand, the S.F.S.C. will be holding another miniature golf tournament.

It will be run on the same lines as last years competition, and is open to all social club members.

It will be held again at Gunnersbury Park on Wednesday 21st July, starting at about 6.0'Clock.

All interested should contact:-

Tony Playle (342)  
John Hargreaves (291)  
Mike Arnett (296)

\*\*\*\*\*

## DR. A.L. WILLIAMS

We would like, on behalf of all social club members, to welcome Dr. Williams to Wood Lane, the Cook Strait cable having been successfully laid.

\*\*\*\*\*

John & Carol Thomas wish to express their gratitude to those who so kindly contributed to the gift of a cheque on the occasion of their wedding.

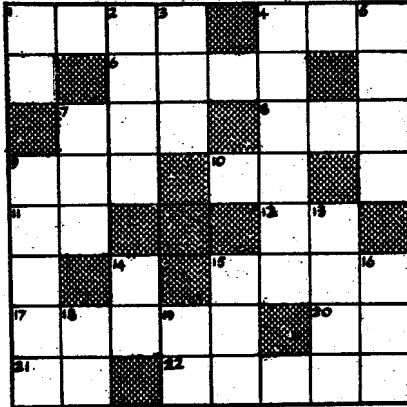
-----  
We see that somebody is trying to organise a debating section. This could usefully fill a gap in the Wood Lane Social Calendar.

Let's hope it goes with a swing. See you there?

# LEGACY PROBLEM

This is a similar problem to 'Dunks Lore', for the mathematically minded.

The answer will be published next month.



£20,000 Legacy Buys a House and a Car.  
Answers in Ft., Sq.Ft. & Cu.Ft. unless otherwise stated.

## ACROSS

1. Number of man-hours worked by builders
4. Area of kitchen
6. Volume of earth for terrace
7. Height of house above sea-level
8. Length of stone-walling = frontage + 5 x length of drive
9. Length of side fence = rear fence + 20 feet
10. Side of square kitchen
11. Side of square lawn
12. Frontage in yards
15. Cost of car in £'s
17. Amount in £'s left from legacy after paying for house and car
20. Length of house, which is twice as long as wide
21. Length of drive
22. Amount in £'s left from legacy after paying for house but before paying for car

## DOWN

1. Cubic yards of earth required for terrace = length of footpath
2. Area of house = twice area of lawn
3. Number of hours each builder worked
4. Cost of house in shillings
5. Cost of house in £'s
7. Area of lawn
9. Cost in shillings of stone-walling at 21/- per ft.
13. Telephone number
14. Number of builders
15. Length of drive + footpath + rear fence
16. Frontage
18. Number of doors in house
19. Number of windows in house =  $\frac{3}{2}$  x number of doors.

## S.A. Touring Team

The experimental nature of the 1965 English cricket season continues with the arrival of the South African touring side under Peter van der Merwe, who is captaining the team for the first time following the retirement of Trevor Goddard.

Because of the political changes in 1961, which resulted in South Africa leaving the British Commonwealth and becoming an independent Republic, the country lost its seat at the Imperial Cricket Conference, and this body no longer recognises matches between its member countries and South Africa as official Test Matches. This attitude is condemned by no less an authority than Wisden which includes international matches played by South Africa since 1961 in the records of Test Cricket. This is a sensible view to adopt for it is inconceivable that standards of cricket are lowered by virtue of constitutional changes. Certainly the 1965 Springboks can be expected to produce cricket as good as any of their predecessors.

It is only four months since the Port Elizabeth Test concluded a 5 match series in which, after losing the 1st Test, South Africa gradually gained the upper hand without actually recording a victory. If the trend continues the tourists could emulate the feat of Herby Wade's '35 'boks and win a series in England.

Only two players in the 15 strong party toured with Jackie McGlew's side in 1960, left-arm spinner Atholl McKinnon and Rhodesian batsman Tony Pithey who averaged over 50 from nine innings in the last winter series. Four others, captain van der Merwe, Eddie Barlow, Jackie Botten and Denis Lindsey, played on English wickets with Roy McLean's Fezelas in 1961, an experience which should prove useful to them.

The tourists' strength lies unquestionably in their batting, where Colin Bland and the younger of the Pollock brothers, 21 year old Graeme, should prove to be the big crowd-pullers. Close behind comes vice-captain and opening batsman Eddie Barlow, a prolific run-getter and occasional medium-pace bowler, who may be relied upon to give his captain loyal support. Although not in the same class as these three, Peter van de Merwe is a capable and determined batsman and a fine close fielder. He can be expected to lead his side with the same spirit and tenacity as did McGlew and Goddard before him.

With the retirement of John Waite, Denis Lindsey steps in as No. 1 wicket-keeper. A hard-hitting batsman who was credited with 5 sixes in one over against Essex in 1961 Lindsey played in three of the winter Tests without being a spectacular success. He will be challenged strongly for his place by Natal's Denis Gamsy who also combines powerful batting with his keeping.

Leading the attack is Peter Pollock, 24 year old brother of Graeme. A genuine fast bowler he gave M.C.C. batsmen plenty to think about during the winter tour. Supporting him are Jackie Botten and left-arm medium-pacer Mike Macaulay, with the slow stuff coming from McKinnon and the old man of the side 32 year old Harry Bromfield. Completing the party, which is being managed by Jack Plimsoll from Western Province, are young Transvaal captain Ali Bacher, Norman Crookes and Richard Dumbrill, all ready to step in if the recognised players should fail.

The tourists have 7 first-class matches before the 1st Test at Lords which starts on July 22nd. Their other matches in London are July 7th v Surrey (The Oval), Aug. 11th v Middlesex (Lords) and Aug. 26th 3rd Test (The Oval). Enthusiasts will undoubtedly look forward to seeing them play the attractive cricket of which they are capable, weather permitting.

# table tennis



George Kaminski, Wood Lane Table Tennis Champion, in action.

## FILMS

---

The 1964-5 Film Section Committee brought their year of office to a close with a programme in which the feature was JAMAICA INN, made by Alfred Hitchcock in 1939 from Daphne Du Maurier's novel and starring a whole galaxy of famous names headed by Charles Laughton; also shown were PAPAGENO, a silhouette cartoon by Lotte Reiniger set to Mozart's music for the "Magic Flute", and Christopher Miles' SIX SIDED TRIANGLE. They hope that you will give the new committee your fullest support in their ambitious plan for next season.

The new committee is:-

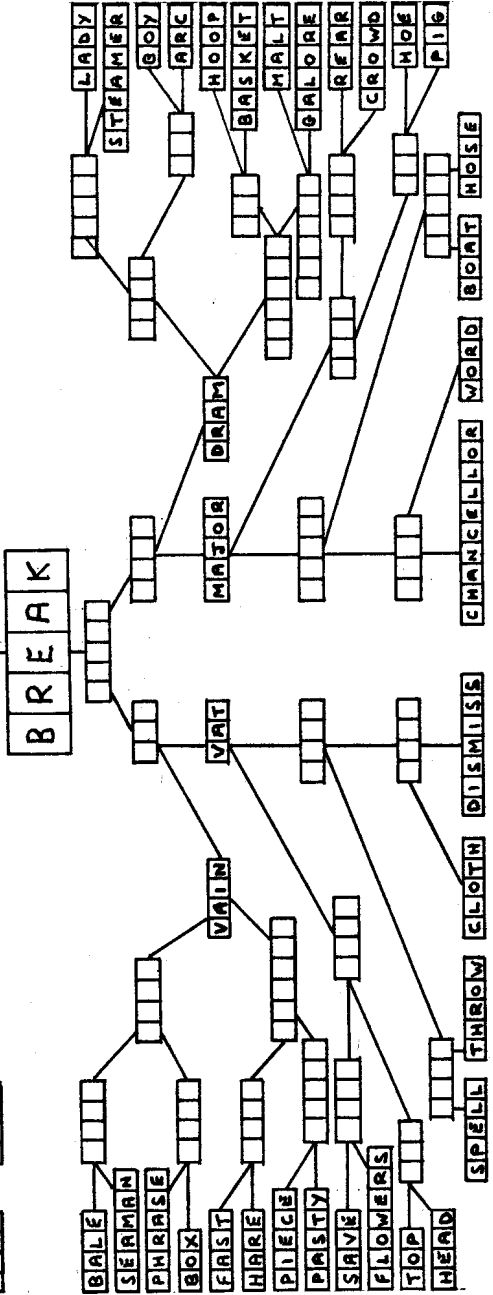
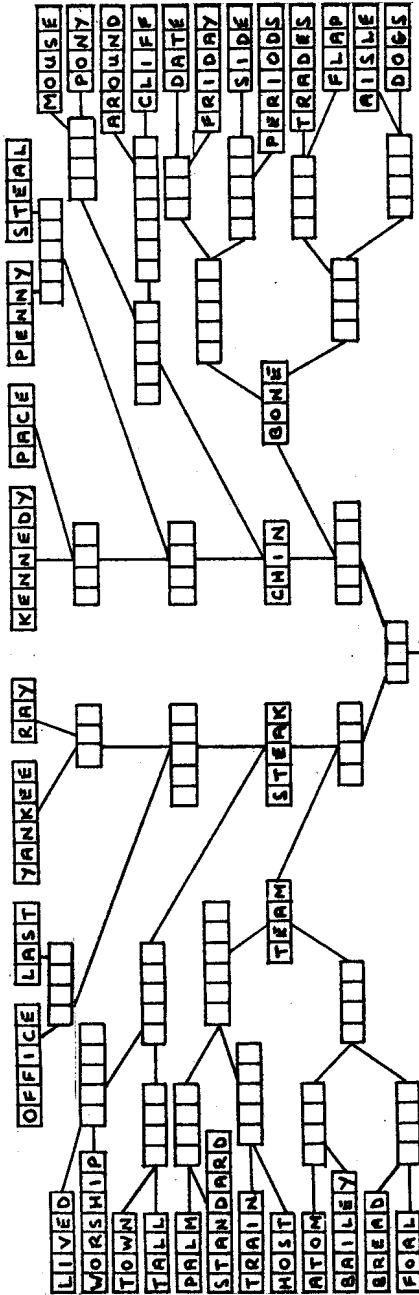
Harry Shipley - Secretary  
Ernest Barton  
Jack Blissett  
Stuart Castle  
Sheila Heffren  
Robin Wood

# Technical Corner

## A Glossary of Aeronautical Terms

Air Brake:-	Hand placed over the mouth
Anticyclone:-	Mother's sister riding a bicycle
Anticer:-	Any female between 9 and 90
Auxiliary Fuel Tank:-	Hip Flask
Ballast:-	Exclamation of annoyance
Bracing:-	Support for customary male dress
Camber:-	A type of continental cheese
Cooling Drag:-	First puff of filter cigarette
Cowling:-	Heifer
Diffusion:-	Radio system employed in France
Directional Instability:-	Endavouring to find keyhole after night out
Elevator:-	Size 12 boot placed in appropriate quarter
Fillet:-	Order given to barmaid when replacing glass on counter
Flattening out:-	Diet
Floating Ailerons:-	Aircraft's counterpart of human kidney
Flying Machine:-	Bluebottle
Glider:-	Dutch coin
Gravity:-	Force exerted on food and drink by means of the mass of the stomach
Gravity Tank:-	Stomach
Gross Weight:-	Weight of 144 articles
Interrupter Gear:-	Telephone
Leading Edge:-	Shoulder inserted between the two people ahead of you in the queue
Link Trainer:-	Marriage Bureau
Load Factor:-	Element of untruth in person's narrative
Millibar:-	Pub 1,000 yards long
Overhang:-	Slipped chest
Performance:-	The thing you regret the morning after
R/T:-	Exclamation heard in lab at 3.00 p.m.
Safety Strap:-	Belt worn with braces
Stressed Skin:-	Caused by wearing strapless evening dress
Torque:-	Natural female ability
Zephyr:-	Black and white striped animal.





# Family Tree

Once again we invite you to pit your wits against one of our popular Family Tree word-puzzles. The idea is to start from the great-great-great-great-grandfather word in the centre of the following page and progress towards the 7th generation round the outside of the page. In case you get stuck half-way we've filled in the 4th generation for you. Each word has two 'offspring', each begotten according to one only of the following rules:-

- (1) A word may be a synonym of the preceding word.
- (2) It may be an anagram of the preceding word.
- (3) It may be derived by adding one letter only at any point in the word, the remaining letters keeping the same order, e.g. "RAN-BRAN-BRAIN...."
- (4) It may be derived by changing one letter only, the remaining letters keeping the same order, e.g. "BANK-BAND-LAND-LANE,LINE."
- (5) It may be one of the word-pair, e.g. "STOP PRESS," "FIRST AND" "TELEPHONE DIRECTORY."
- (6) Father and son may go together to form a different word entirely, e.g. "CAR-PET," "DRAW-BACK," "REST-RAIN."
- (7) There may simply be an association of ideas, broader than in Rule 5, e.g. "PIG" and "WHISTLE", "CUP" and "SAUCER", "STRING" of "BEADS", "DRUNK" as a "LORD", (where the connecting word is a conjunction of preposition and is ignored for the present purpose).

Rules 5, 6 and 7 may apply in either direction, i.e. the "father" might be "WHISTLE" and the "son" might be "PIG", as well as vice versa.

Please send your completed Family Tree to reach the Editor not later than Friday, 16th July, not forgetting to add your name and department. All entries will be put into a hat (or a dirty cardboard box) and the first correct one drawn will win 10/-.

The Editor's decision is final.

NAME	DEPT.

THIS HOUSE BELIEVES THAT

# 'THE FAIR SEX IS NOT BEING FAIR'

Anyone who is interested in listening to a DEBATE on this motion is invited to contact either Alan Fenwick or Dennis Cooper both on telephone 280.

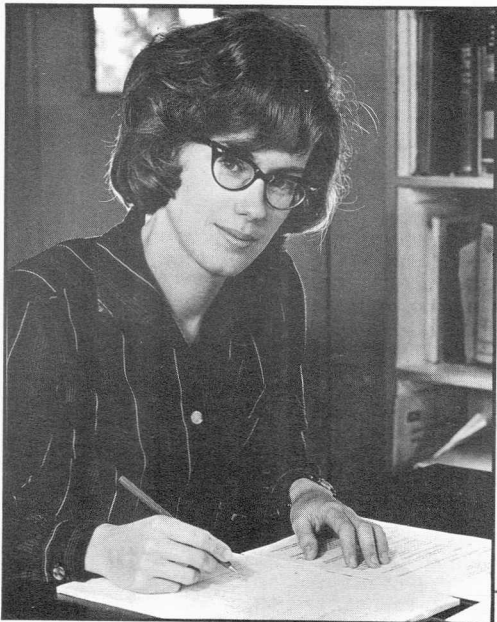
They will be more than delighted to discuss details with persons interested in SPEAKING on the motion either for or against.

A firm date has yet to be fixed, but it is hoped that the first BIG DEBATE at Wood Lane will be in the first week in August. The actual date and venue will be extensively advertised.

## *From The Council Table*

At the last meeting of the Executive Council, Miss Verina Horsnall was welcomed to the committee as the new club secretary. The committee thanked her for volunteering for the post and pledged their co-operation at all times. A Dance Committee has now been formed consisting of Mrs. King, Mr. Seebold, Mr. Playle and Mr. Neale. The council were in favour of having a trophy cabinet in the Lecture Room to display the trophies of the various sections. The Secretary is to make an inventory of all such trophies connected with the Wood Lane Social Club and it is hoped she will get the co-operation of all section secretaries in carrying out this task.

## PROFILE - VERINA HORSNELL



In matters of State, women make admirable figureheads but inevitably the Prime Minister is male. The reason given for this is that men are good executives; dominant, cool and capable of making logical decisions; and the converse is given as the reason for women never reaching this position. Of course, the reasons may not be valid but every man believes them to be. It is indeed then, untypical for the Club to have not only a lady Chairman but also a woman for its chief executive, the Secretary. Untypical it may be, but certainly not rare, for the newly appointed secretary is the fourth woman in succession to hold this post. Verina Horsnell follows eighteen months of cheerful and efficient work by Barbara Smith.

She has taken on this task with a background and deep interest in social activities. At Woolwich Polytechnic where she took her B.Sc her behind-the-scenes activities in organizing functions such as dances and the International evenings made

her extremely well known and popular.

"I prefer active hobbies, badminton, squash, sailing and tennis are my favourites although I am very keen on photography for purely personal pleasure. I am not the sort of person who takes photographs to enter competitions" she said.

Few people know, however, that she is a first rate chess player and that she has won the Southern Counties Ladies Chess Championship as well as the British Girls.

Verina was born in Paddock Wood, Kent during the evacuation, after the war living and going to school in Woolwich. Last year with some friends she crossed the Continent in an old Austin and reached as far as Split in Yugoslavia before returning because the road was too bad.

Already she has shown herself to be an active supporter of our own Social Club, on occasions she has played for the mixed badminton team, is a tennis regular, plays bridge and has won the Table Top Car Rally against keen male opposition.

Surely this is a case of the right man for the job, especially as she is a woman.

## THE OLD ABBEY

Let me say straightaway that I do not believe in ghosts, poltergeists or long leggety beasties, and the following morning I've always found a logical explanation for the things that went bump in the night. I also have an unprintable theory regarding the Indian Rope trick, but I don't believe in ghosts - at least, I don't think so.

But I digress.

The Old Abbey was a ruin, a shell of a building surrounded by trees and set back a hundred yards from the road. I doubt whether it really was an Abbey. More likely it was the unfinished private chapel of the lord of the manor, its ruined state probably being attributable to vandalism by early teenagers who had, like ourselves, used it and its precincts as a playground.

Local superstition had it that the old abbey was haunted and seen by the light of a thin moon it certainly gave the appearance of being a spectral elysium. Of course; the superstition may well have been the result of the local farmers plodding wearily homewards after too long a session in the nearby Old Lolley.

It was on Halloweën or one of those nights when ghosts walk abroad, that Ron, Pete and myself after having tramped the lanes decided to lay the Abbey ghosts.

We cautiously approached the gate at the end of the field and with bated breaths tip-toed towards the ghostly ruin. The night was ideal for ghost walking - a sliver of moon and low scudding clouds allied to which was the fact that street lighting in the country was virtually non-existent.

We reached the abbey with trepidation and chattering teeth and stealthily at first and later more boldly, investigated every nook and cranny and discovered nothing but the usual rubbish.

Feeling happy at having braved the abbey at night but relievedly disappointed at having encountered nothing supernatural we decided to climax the evening by giving Malcolm a severe fright.

Mal. was a self confessed hero the same age as ourselves, thirteen, but was six feet tall and weighed a healthy fourteen stones, consequently we did not feel that we were being cruel.

Ron was despatched to collect, and duly returned with a Malcolm who could be heard muttering repeatedly "I'm not afraid of ghosts". This was the signal for Pete to take up position on the north side of the abbey and for me to climb into the eastern window.

As Malcolm approached to within a few yards, I placed the reflector of a torch under my chin, and switched on. The apology of a red glow from the torch gave a Mephistophelean look to my face and caused Mal to scream and run round the side of the abbey straight into Pete who was swaying gently by one arm from the low branch of a tree. In the poor light it appeared that he had been hanged. The effect was now really startling. Malcolm screamed again as he leaped into the air and then sprinted towards the road. He cleared the five bar gate without hesitation and his elephantine footsteps could be heard beating rhythmically towards the village.

It was only natural that we three should curl up laughing, clasping our pots in agony as we strolled casually towards the gate thoroughly enjoying the spectacle of the heroic Malcolm being scared to the point of stupefaction.

Ron was waiting when we reached the gate and confessed that he too had been rather startled.

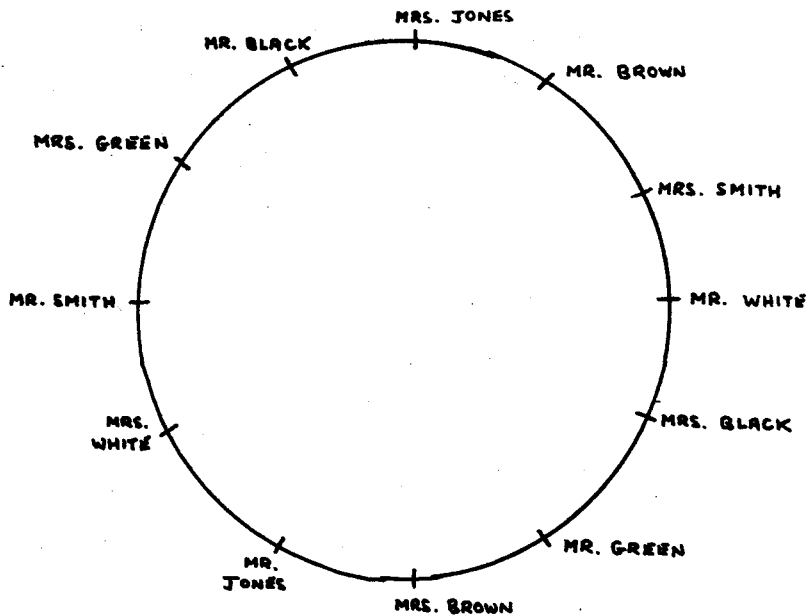
Several days later when we were discussing the episode, Malcolm pointed out that he had been scared not by, as he put it, my horrible face, nor by Pete's apparent hanging, but by the man who had been standing in the abbey behind me! Then we remembered, Malcolm was pounding the asphalt, Ron was swinging on the gate, and yet three of us were walking up the field. No, I don't believe in ghosts - I think.

---

## Dinner Party - solution

This puzzle proved popular, a large selection of correct solutions being received. The first out of the hat was from Harry Shipley who will receive the prize.

The following is the correct result:-



Another successful Whist Drive was held on the 9th June. Scores were in general fairly low, the prize winners being:-  
1st Prize-Bottle of Sherry-Barbara Smith, 2nd Prize-Table Mats-Mrs. Digby,  
3rd Prize-Clothes Hanger-Mr. Addis. 1st Half Prize-Food Container-  
Booby Prize-Chocolates-David Deayton. Mr. Mackie.

Raffle:-

1st Prize-Fruit-Albert Pinching,

2nd Prize-Clothes Hanger-Mrs. Digby.

All you potential card manipulators note, the next Whist Drive is on the 14th July.

# Puzzle Page

An assortment of quick brain teasers.

## JUST NONSENSE

The old salt banged on the beef & shouted for the cook. "When I order roast cat, I expect roast fly", be bellowed. "And get that wretched man out of the soup. And there was a table in my room. And both my waiter and my beef were rusty. As for the fork, the fish forgot the knife".

Rearrange the nouns to make the paragraph make sense.

## PLACE NAMES

"3412 is in Kent, 46745 is in Surrey, 24436 is in Yorkshire, 4269544 is in Herts, and 123456789 is in Hants."

Replace the digits with the appropriate letter to give the place names.

## TOTAL REVEALED

$$\begin{array}{r} \text{---} \\ \text{---} \\ \text{---} \\ \hline 1 \quad 8 \quad 4 \quad 5 \end{array}$$

To complete the addition sum, you need three 3-figure numbers. The smallest number must be the first, and the largest number last. You must use all the digits from 1 to 9 and one of the numbers must be three times one of the other numbers.

There are two solutions.

## REMOVALS

BALUTEATTERFOSLYS  
CARNEPEWSANGETERNT

Remove the insect, but leave the bird  
Remove the shopkeeper, but leave the craftsman.

## EXPANSION

In the following paragraph, certain words have been omitted and a dash substituted for each letter of the missing word. Each missing word contains the letters of the previous missing word, plus one new letter. Find the missing words and fill in the paragraph.

"Going home in - train yesterday, I saw -- old lady take a pair of socks from a work basket and begin to ---- them. In conversation, she told me her house was not very -----, but it had a ----- where she spent most of her time ----- . I remarked that we would reach London very quickly, but for a ----- which seemed to be ----- the trains progress.

## SPECULATION

"I invested £100 in shares yesterday" said Sharp the speculator.  
"Part of it I put into Consolidated Flypaper, and the rest in Blogg's Yeast."

After gaining 20% Consolidated Flypaper proved a bit sticky, and dropped 20% in value before the end of the day. Blogg's Yeast, on the other hand, after dropping 10% registered a nice 10% rise before the close of trading. So I lost 17s. 6d. more on Consolidated Flypaper than I did on Blogg's Yeast".

How much did he invest in each company?

## WORD PLEASE

The letters ODEN are the middle four letters of a 12-letter word.  
What is the word?

# B.T. Guide to Good Drinking Places

It is hoped that the information given in connection with the following drinking establishments is still valid. The author takes no responsibility for conditions changing since visiting these hostelrys.

"The Waterman's Arms" (Ind Coope) 1, Glengarnock Avenue, E.14.

Situated in London's East End dockland, this pub, owned by Daniel Farson, has a nostalgic theatrical atmosphere created by the many prints, paintings and photographs of stars of old London Music Halls which cover the walls. Plenty of swinging music is provided throughout the whole week by a three-piece band. Vocals are given by the vivacious Kim Cordell and also by "regular" customers who volunteer to sing in front of the band. A good selection of bottled beers and spirits may be obtained. Draught beers are Double Diamond and Red Barrel.

"The Clachan" (Scottish and Newcastle Brewers) Old Mitre Court, E.C.4.

The "Clachan" is situated in a small cul-de-sac off Fleet Street. The dive bar is very pleasant for a quiet drink during the week but becomes very crowded on Friday and Saturday evenings. Around the walls of the room there are tartans of numerous Scottish clans. A good selection of whiskies are available including Glen Grant (an excellent malt whisky) and 21 years old Whyte and MacKay. Bottle beers include Mac Ewan's Export, Younger's Double Century and Newcastle Brown Ale. The draught beer is Younger's Tartan Bitter.

"The Coach and Eight" (Whitbread's) 127, Upper Richmond Road, Putney S.W.15.

Although situated approximately half a mile south of the Thames, "The Coach and Eight" has many associations with the river, oarsmen and boating. Around the walls there is a fine collection of prints, photographs, trophies and other mementos of the history of rowing. On the ceiling you can see the badges of rowing clubs in the country that have taken part in races on the Thames. One's thirst can be quenched with a cool pint of Whitbread's Tankard. Draught Mackeson is also obtainable. Lunches may be obtained in the restaurant.

"The George Inn" 77, Borough High Street, S.E.1.

This ancient inn used to be frequented by Dr. Johnson on his way to visit friends in Streatham. The courtyard outside was once used to stage Shakespearean plays while the audience watched from the gallery above. Inside one may obtain Flower's Keg on draught. It is useful to know that the floor slopes even when you're stone-cold sober!!

"Palm Court Hotel" Richmond, Surrey.

The "American Bar" of the Palm Court Hotel is very popular on Friday evenings and Sunday lunch-time when various modern jazz groups take the bandstand. The Bar looks right onto the Thames beside Richmond Bridge and in the summer it is possible to sit out in the garden which stretches down to the tow-path. This "pub" is recommended to people who like draught beer, as the following are obtainable-Whitbread's Tankard, Worthington "E", Bass, Tartan Bitter, Tavern Keg, Flowers Keg, Charrington's Keg, Guinness and Double Diamond.

"The Wellington" (Watney's) Uxbridge Road, Shepherd's Bush Green, W.12.

This establishment is probably well known to most readers of the B.T. but it may be of interest to note that on Sunday and Monday evenings the Gothic Jazz Band play in the Saloon Bar. A seven-piece group play trad. standards from approximately 8 o'clock till closing time.



# TENNIS

After the disastrous start to the season the prospects seemed to brighten, and four sessions were held all of which were well attended.

However the last two sessions have had to be cancelled.

It has been suggested that if tennis is cancelled on a Tuesday because of bad weather, a session could be held on the following Thursday. This seems reasonable but players will have to notify me on the Thursday morning by 12 O'Clock at the latest.

At the moment very few of the first round matches in the tennis tournament have been played but the results of the three played so far are:

K.R.M. Elder beat A. Ranicar  
6-0                      6-1

B.J. Thompson beat R. Menazes  
6-4                      7-5

This was a very closely fought contest with many games going to deuce, but a good win for Brian.

G. Gunn beat J.M.R. Hagger  
6-3                      6-0

This was a very interesting game since Mike Hagger reached the finals of the Plate competition last year and George had never won his way to the second round.

However George has been practicing very hard, and over a lunch-time chat he predicted a three set win with scores 2-6 7-5 7-5. He therefore seems better than Cassius Clay at predictions. When spoken to after the match he issued a warning to Keith Elder who he maintains he will beat in the quarter finals. Well played all those who have won their first round matches, we hope to see the losers in the plate competition which should start in July.

The date fixed for the completion of the second round matches is the 18th July.

## BRIDGE

Chemistry I were held to a draw by Spectroscopy. This makes Rubber and Plastics outright winners of their section and they meet Mathematics I in the final.

The final positions for the two sections are given below:-

SECTION I		SECTION II	
	V. pts		V. pts
Mathematics I	30	Rubber & Plastics	31
Physics	24	Chemistry I	27
B.D.R.	21	Spectroscopy	23
Metallurgy	18	Mathematics II	12
Chemistry II	7	Inst. & Control	7

## The Bar

In order that the bar may function efficiently and continue to offer satisfactory service, the Bar Committee would like to advise their customers about use of the off-sales service. In particular, due to an increased volume of sales, orders for stock items must be placed, before 10.00 a.m. on the day they are required, with either David Goff or Barry Cogdell (Tel. No. 243). Items which require special ordering need some notice, table wines, for example, need at least 7 days whilst mini-pins of Watneys Special Ale need 4 days.

SALE - at pre-budget prices.

Cans of Bass (Blue Label) at 1/5½ each.  
Bottles of Merrydown Vintage Cider Quart-Size  
(Medium-Sweet) at 6/- each  
Bottles of Red Barrel Ale at 1/4½ each.

## HOCKEY

---

Although hockey is essentially a winter sport, the section attempts to maintain the interest of its members by having the occasional summer fixture. These fixtures prove quite popular in that the hard pitches are conducive to fast hockey and the more favourable climatic conditions additionally add to the enjoyment.

So far two games have been played, against Lyons and the Milk Marketing Board. On each occasion B.I.C.C. stole the honours, the scores being 3-0 and 2-1 respectively. Des D'Cunha as usual excelled himself scoring twice against Lyons and once against the Milk Marketing Board. Ron Arekion, who usually plays full back and misses the opportunity to display his talents, excelled himself as an inside forward and scored the other goal against the Milk Marketing Board.

### Forthcoming Fixtures

---

July 15th St. Bernards Hospital	-	Away
August 3rd Lyons	-	Away

---

## photo comp

After a lapse of some time we have decided to run another photo competition.

The subject is "A Young Man's Fancy".

Entries by 14th August please.

drift

